

E36c

User Manual





WARNING

ALWAYS FOLLOW SAFETY PRECAUTIONS

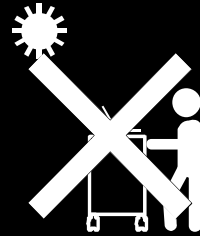
NEVER climb, sit
or stand on the cart.



ONLY ADULTS should
move the cart.



To reduce risk
of electric shock
ONLY use indoors.



CAUTION

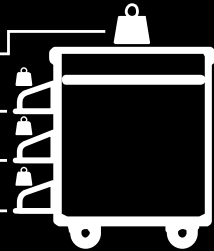
This cart is intended for use only with loading as indicated. Use with loads greater than indicated may result in instability causing possible injury.

≤ 55.1lbs (25kg)

≤ 110.2lbs (50kg)

≤ 110.2lbs (50kg)

≤ 110.2lbs (50kg)



Please place the devices from the bottom to top shelf to avoid the tilting.

- Death or serious injury may occur when children climb on audio and/or video equipment furniture. A remote control or toys placed on the furnishing may encourage a child to climb on the furnishing and as a result the furnishing may tip over on to the child.
- Relocating audio and/or video equipment to furniture not specifically designed to support audio and/or video equipment may result in death or serious injury due to the furnishing collapsing or over turning onto a child.

CAUTION!

- **DO NOT** allow anyone to sit, stand or climb on the cart.
- **DO NOT** lift the cart.
- **DO NOT** block the ventilation holes used for air circulation.
- **DO NOT** overload objects on the cart shelves. (work platform maximum loading = 25kg / 55.1lbs; each pull-out shelf maximum loading = 50kg / 110.2lbs).
- **DO NOT** put any devices that the weight is over the maximum loading weight on top of cart.
- When moving the cart, **DO NOT** put any devices (ex: TV, Monitor, Documents camera...etc.) on top of cart.
- No TV/monitor is to be used on top of cart.
- Before moving the cart, disconnect the power from the wall outlet.
- While moving the cart, make sure the power cord is secured and tightly wrapped.

FCC NOTICE (Class A)



This device complies with Part 15 of the FCC Rules. Operation is subject to the following two conditions: (1) this device may not cause harmful interference, and (2) this device must accept any interference received, including interference that may cause undesired operation.

Federal Communications Commission Statement

NOTE- This equipment has been tested and found to comply with the limits for a Class A digital device, pursuant to Part 15 of the FCC Rules. These limits are designed to provide reasonable protection against harmful interference in a residential installation. This equipment generates uses and can radiate radio frequency energy and, if not installed and used in accordance with the instructions, may cause harmful interference to radio communications. However, there is no guarantee that interference will not occur in a particular installation. If this equipment does cause harmful interference to radio or television reception, which can be determined by tuning the equipment off and on, the user is encouraged to try to correct the interference by one or more of the following measures:

- Reorient or relocate the receiving antenna.
- Increase the separation between the equipment and receiver.
- Connect the equipment into an outlet on a circuit different from that to which the receiver is connected.
- Consult the dealer or an experienced radio/television technician for help.

Class A ITE

Class A ITE is a category of all other ITE which satisfies the class A ITE limits but not the class B ITE limits. Such equipment should not be restricted in its sale but the following warning shall be included in the instructions for use:

Warning - This is a class A product. In a domestic environment this product may cause radio interference in which case the user may be required to take adequate measures.

European Community Compliance Statement (Class A)



This product is herewith confirmed to comply with the requirements set out in the Council Directives on the Approximation of the laws of the Member States relating to Electromagnetic Compatibility Directive 2014/30/EU.

Warning - This is a Class A product. In a domestic environment this product may cause radio interference in which case the user may be required to take adequate measures to correct this interference.

DISCLAIMER

No warranty or representation, either expressed or implied, is made with respect to the contents of this documentation, its quality, performance, merchantability, or fitness for a particular purpose. Information presented in this documentation has been carefully checked for reliability; however, no responsibility is assumed for inaccuracies. The information contained in this documentation is subject to change without notice.

In no event will AVer Information Inc. be liable for direct, indirect, special, incidental, or consequential damages arising out of the use or inability to use this product or documentation, even if advised of the possibility of such damages.

TRADEMARKS

“AVer” is a trademark owned by AVer Information Inc. Other trademarks used herein for description purpose only belong to each of their companies.

COPYRIGHT

©2017 AVer Information Inc. All rights reserved.

All rights of this object belong to AVer Information Inc. Reproduced or transmitted in any form or by any means without the prior written permission of AVer Information Inc. is prohibited. All information or specifications are subject to change without prior notice.



The mark of Crossed-out wheeled bin indicates that this product must not be disposed of with your other household waste. Instead, you need to dispose of the waste equipment by handing it over to a designated collection point for the recycling of waste electrical and electronic equipment. For more information about where to drop off your waste equipment for recycling, please contact your household waste disposal service or the shop where you purchased the product.

Contents

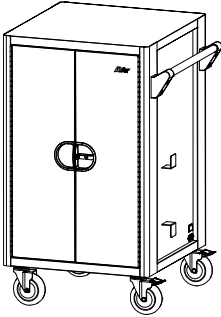
INTRODUCTION	1
Package Contents	1
Dimensions	1
Diagram	2
Front.....	2
Side.....	2
Back	3
Door Lock	4
INSTALLATION	5
CHARGING THE CART	8
SPECIFICATIONS	9
TROUBLESHOOTING	10
SERVICE AND WARRANTY.....	10

Introduction

The E36c cart can store and charge up to 36 Chromebooks, laptops or tablets with up to a 15" screen.

Package Contents

The following items are included in the package. Please check if each item is available before using.



E36c Cart

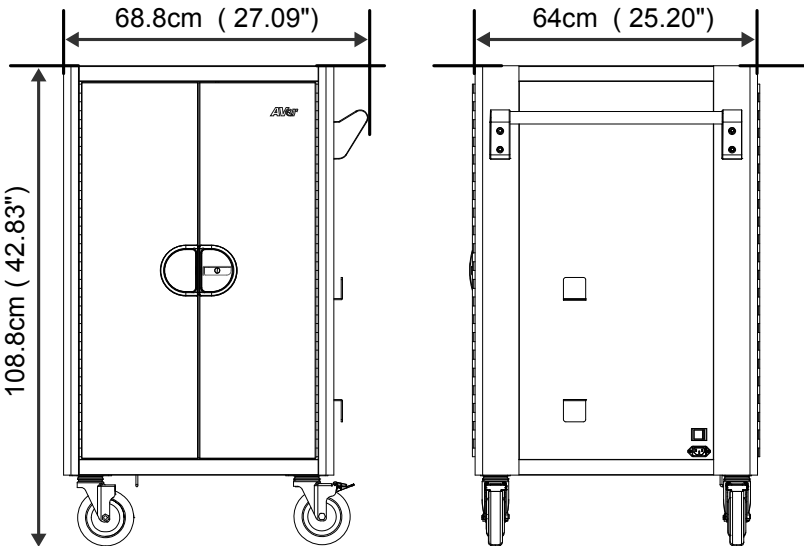


User Manual



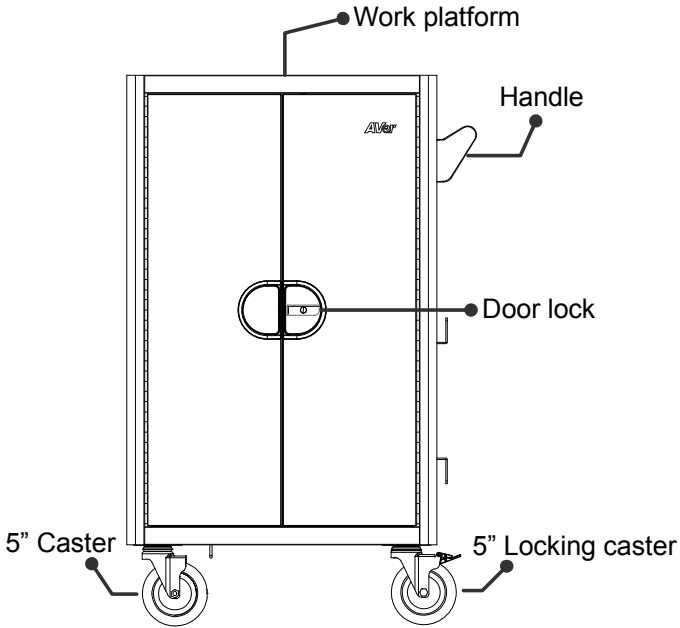
Power Cord

Dimensions

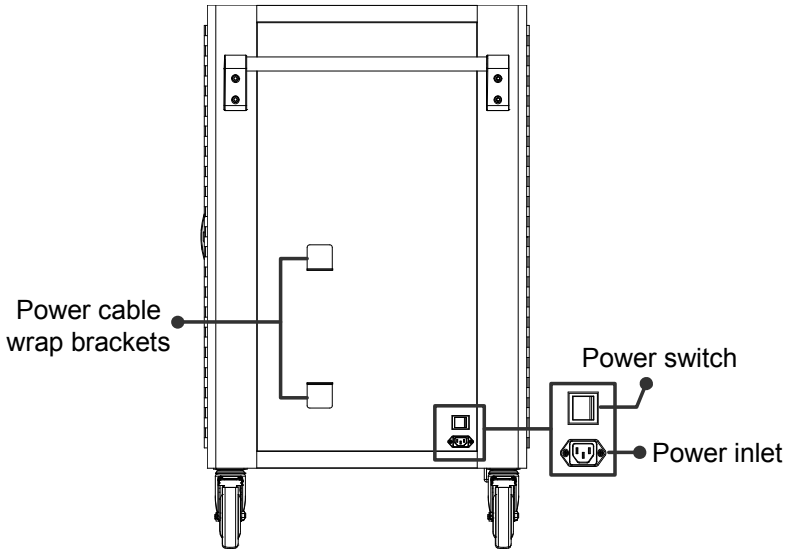


Diagram

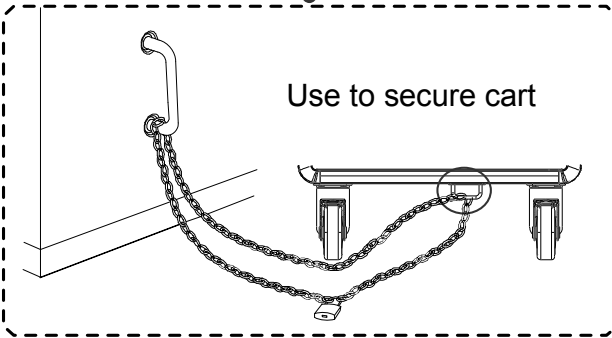
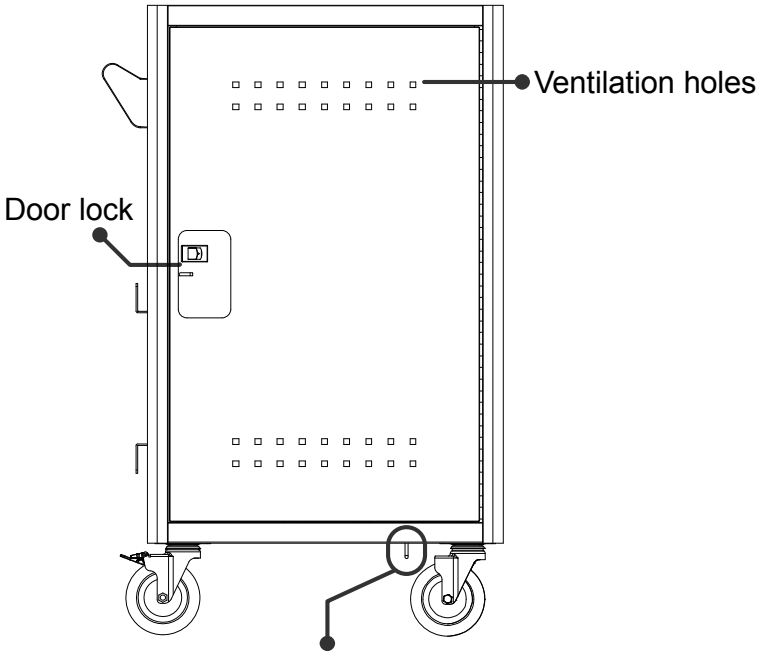
Front



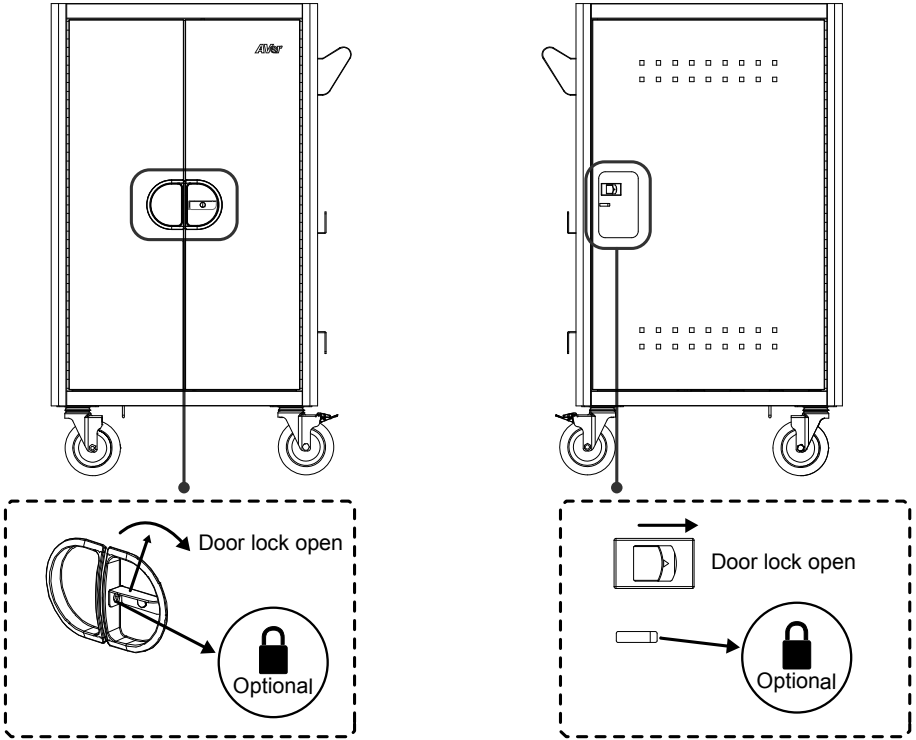
Side



Back



Door Lock



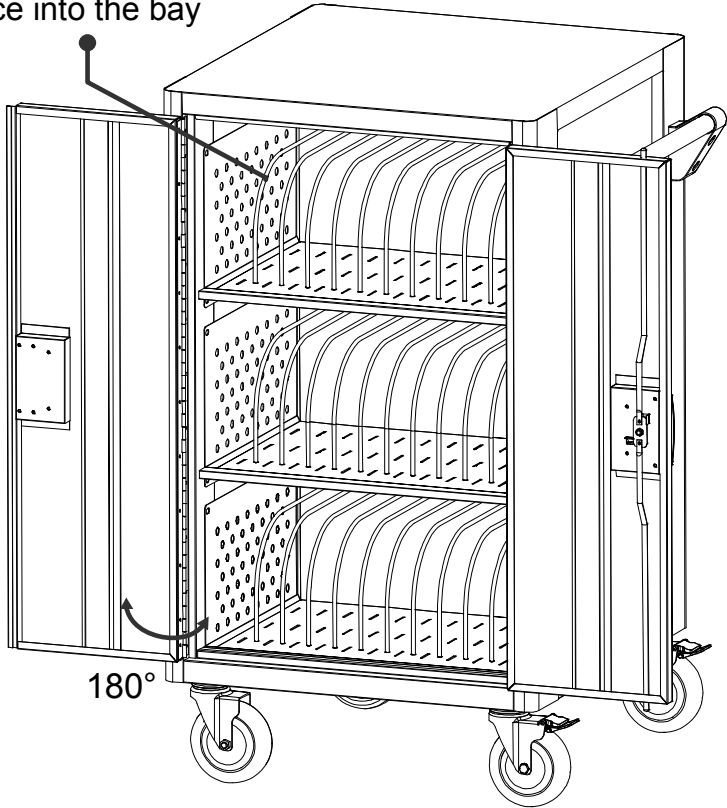
[Note] The shackle dimension of front and back doors are limited to Ø8mm (0.31”).

Installation

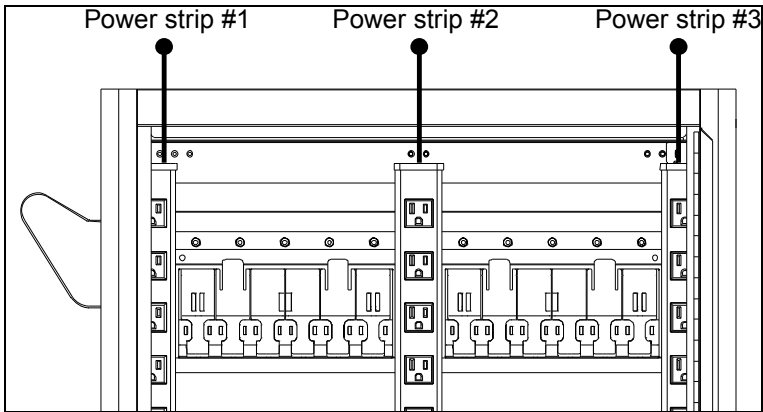
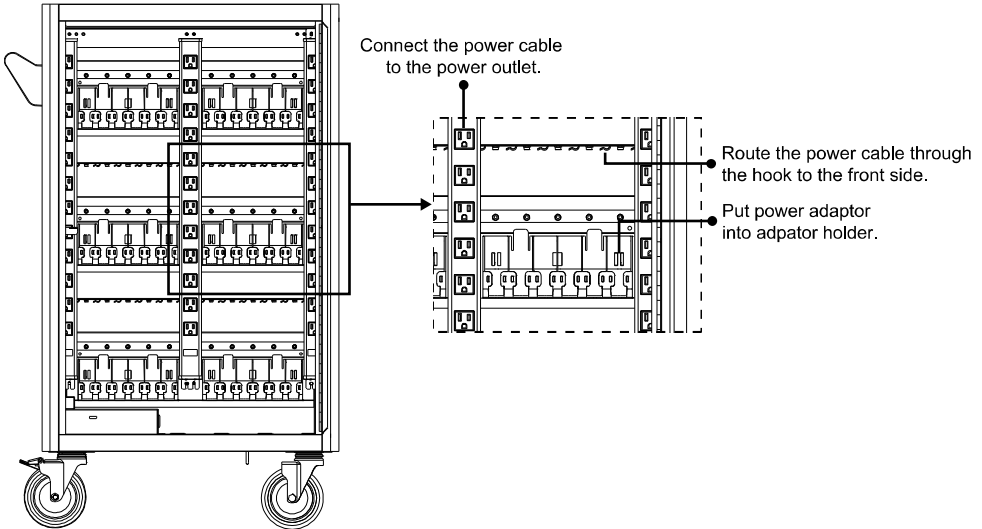
1. Open the front doors.
2. Put the device (Chromebook, tablet, etc.) into the bay.
3. Close the front doors and turn the cart to the back side.

[Note] Close the front doors before moving the cart to prevent devices from falling out.

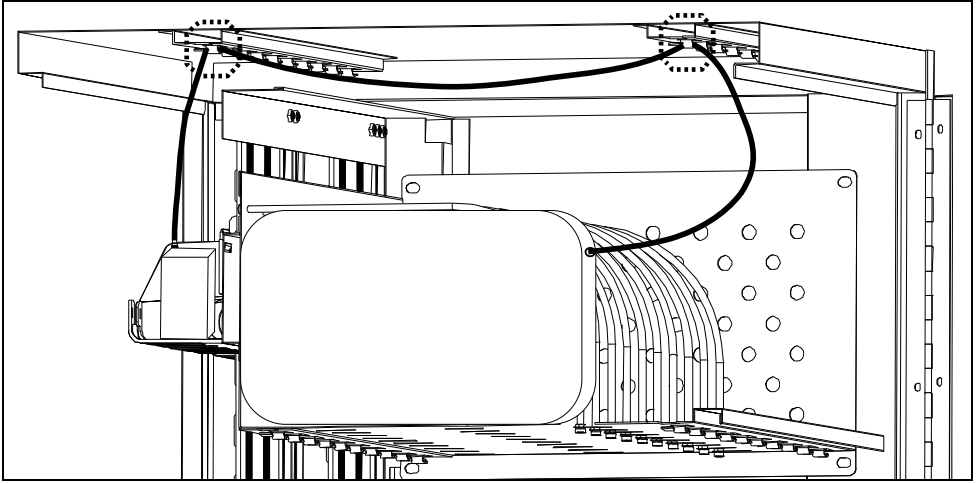
Put the device into the bay



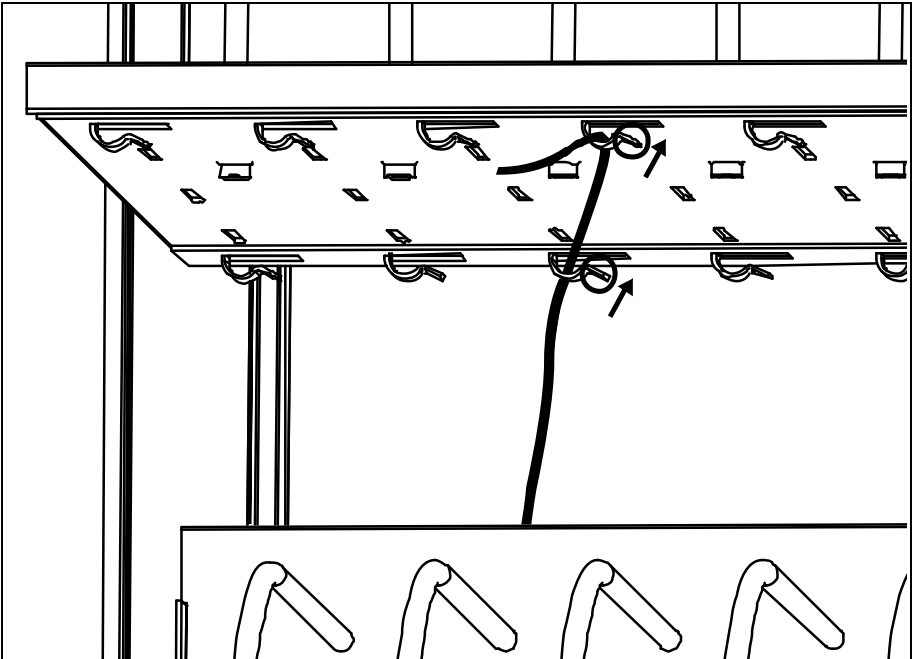
4. Open the door on the back side.
 5. Place the device power adapter brick to the adapter holder (see figure below).
- [Note]** We suggest using Velcro strap or zip-tie to wrap up excess power cable of device.
6. Plug-in AC-end power plug of device to the power AC socket on the cart.
- [Note]** The Cycle charger in E36c will begin charging the 1st power strip and alternate every 20 minutes to each power strip.



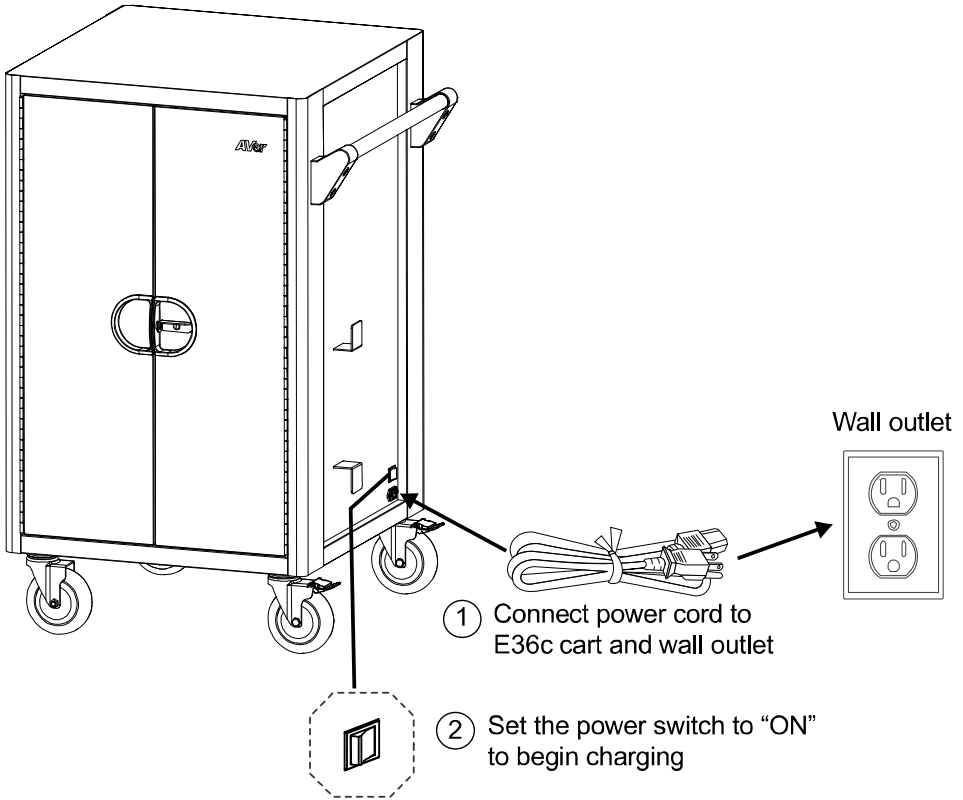
7. Route the DC-end of the power cable to the front of the cart through cable hook groove and connect to power jack of device (see figure below).



[Note] For smaller cables you may want to press the end of the cable hook to secure the cable from falling out.



Charging the Cart



[Note] Set the power switch to the **OFF** position before plugging the cart to wall outlet.

Specifications

Model	E36c
Capacity	36
Tablet Support	Chromebooks/Laptops/Tablets up to 15"
Charging Type	Cycle Charging
Power Specification	AC IN: 100-120V ~ 50/60Hz, 12A PWR Strip: 36-Port Total 100-120V ~ 50/60Hz, 11A
Security	Front doors: 3 point mechanism with lock hole
Casters	5" casters x 4 2 lockable casters
Working Temperature	0°~30°C
Working RH%	10%~90%
Storage Temperature	-40°C~60°C
Storage RH%	5%~95%
Top Surface(work platform)	25kg (55.1lbs)
Shelf Support Weight(ea.)	50kg (110.2lbs)
Adapter Shelves(ea.)	3kg(6.6lbs)
Access point holder Loading	3kg
Warranty	10 years cart and tray 5 years electrical components
Cart Dimensions (W x D x H)	68.8(W) x 64(D) x 108.8 (H) cm 27.09"(W) x 25.20"(D) x 42.83"(H)
Package Dimensions (W x D x H)	77(W) x 73(D) x 125.5(H) cm 30.31"(W) x 28.74"(D) x 49.41"(H)
Weight without Devices	56.2kg/123.9 lbs
Gross Weight	75.2kg/165.8 lbs

Troubleshooting

Q: Why are all of my devices plugged in but not charging?

- A:
1. Make sure power cords are undamaged.
 2. Make sure power cords are firmly inserted into the available socket with stable current.
 3. Make sure the power plug and current consumption are compliant with your country specification standards.

Q: My cart's main power cord or cart components are damaged. Are they covered under warranty?

A: We provide a 10 year warranty on the cart and tray, and 5 years warranty on the electrical components.

Q: How do I know if my devices will exceed more than the allotted current?

A: Have a qualified electrician verify the current consumption of your devices. Perform the test with devices installed and batteries discharged.

Q: When I plug in the device it trips the circuit breaker. What is wrong?

A: You may have other equipment or appliances sharing the same circuit that is causing a circuit overload. Have a qualified electrician check that adequate power is available in the circuit.

Q: My power cords are not staying in the provided cable clips when the cart is moving, how can I resolve this?

A: For smaller power cords, try pressing the end of the cable hook to close the gap once your cable is securely in place. Be sure to only close the cable hook just enough to prevent the cable from falling out.

SERVICE AND WARRANTY

All of our products come with a quality and safety assurance.

For customers located in North America, please visit the AVer USA support site for comprehensive RMA, Warranty, and Service information:

<http://averusa.com/classroom-technology/support/>

For customers located outside North America, please visit AVer Global support site: <http://www.aver.com/>